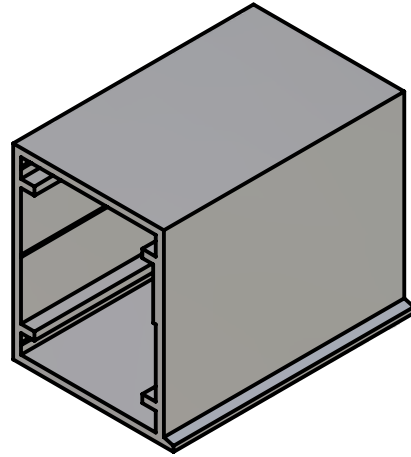


detail kaderprofiel



detail

